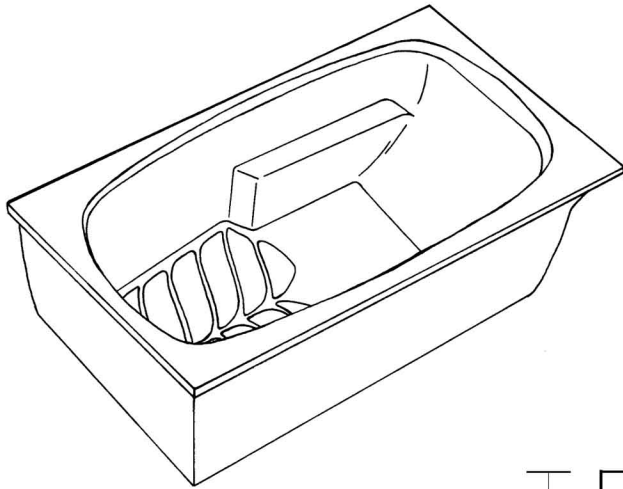




Marbled Elegance, Inc. - 2008 Martin Avenue, Santa Clara, California 95050 - ph) 408.970.8991



OVERALL DIMENSIONS:
60-1/4"W x 36-1/4"D x 19"H

