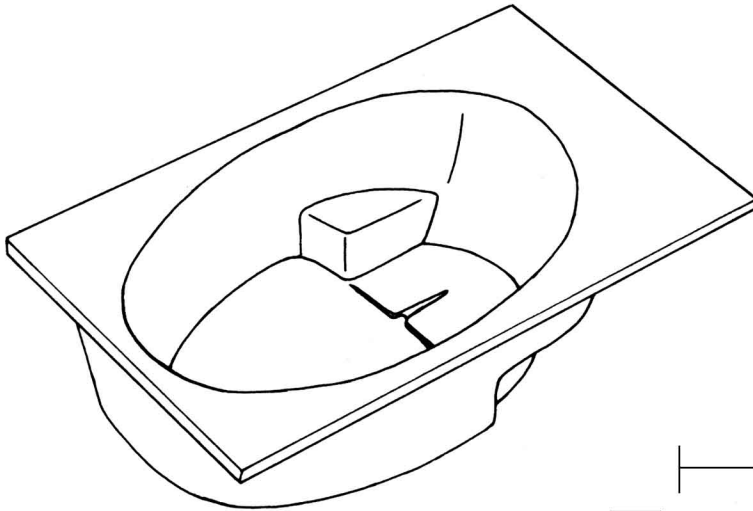




Marbled Elegance, Inc. - 2008 Martin Avenue, Santa Clara, California 95050 - ph) 408.970.8991



OVERALL DIMENSIONS:
71-3/4"W x 42"D x 17"H

